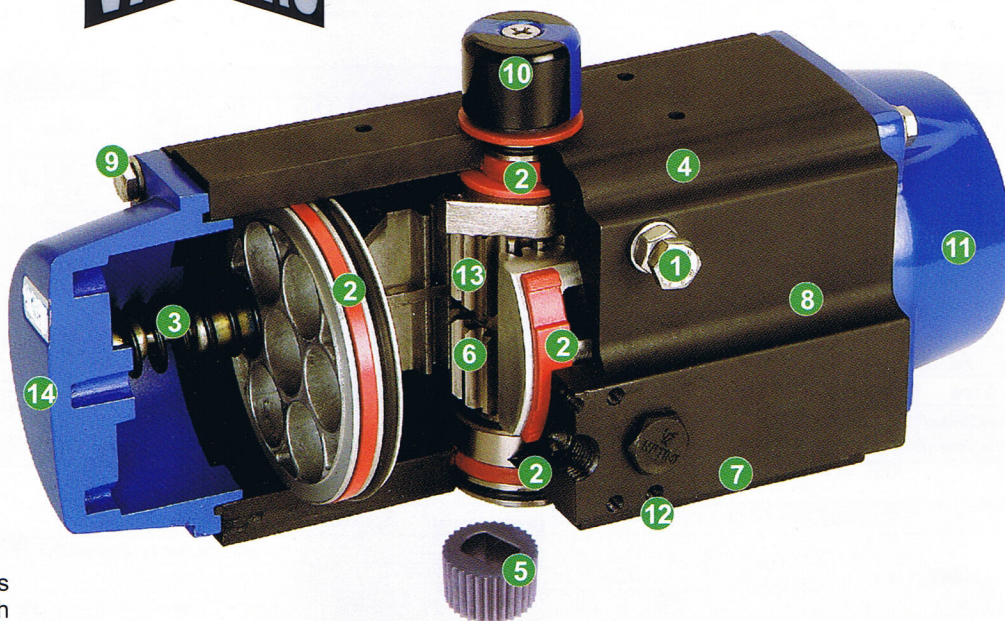


Features



1. Travel Stops

Two external travel stops permit adjustments of +/- 5 degree. Note : Travel stops are located on end caps on size 045 only.

2. Bearings

Top quality bearings and seals for low friction and high cycle life to ensure trouble free operation. Same bearings are used for both high and low temperature operations.

3. Spring Cartridges

Modular pre-loaded spring cartridges with metal spring guides for use in both high and low temperature applications.

4. Extruded Aluminum Body

Hard anodized extruded aluminum body with honed internal surface for strength, high cycle life, and low frictional resistance.

5. Shaft Insert

Unique output shaft insert can be selected from a variety of standard sizes, including double D, ISO square, and round and keyed, or can be custom designed to fit any output shaft configuration.

6. Blow-Out Proof Shaft

Guide bar in pistons provides an inherent blow-out proof shaft design.

7. Wide Base Design

Wide actuator base design option can be adapted to mount valve designs requiring wider than EN ISO 5211 drilling.

8. Dual Rack and Pinion Design

Dual rack and pinion design offers double acting and fail safe operations in same body. Reverse rotation can be accomplished by simply inverting the pistons.

9. Fasteners

Internal and external stainless steel fasteners and specially coated springs provide corrosion resistance in a variety of environments.

10. Position Indicator

Unique position indicator can be indexed to show alternate positions. Top of actuator has a NAMUR slot to engage with all popular sensors and positioners.

11. End Caps

Standard end caps are rounded with no crevices to accumulate contamination. Optional end caps are available to provide 100% stroke adjustment in one direction.

12. Actuator Mounting

Manufactured in full compliance with the latest requirements of EN ISO 5211, with provisions for mounting solenoid valves and accessories, comply with NAMUR VDI/VDE 3845.

13. Alloy Steel Shaft

High strength alloy steel shaft with electrolysis nickel plating protection for maximum wear and corrosion resistance.

14. Compact Modular Design

Compact modular design with same body and end caps for double acting and spring return designs combined with a shaft insert design to offer the most efficient use of inventory.

15. Size 045 Actuator

Size 045 actuator pinion design permits pinion to be inserted from top or bottom of the actuator to use all three bolt circles (F03, F04, F05) for mounting. The female drive of the pinion is available in the 9 mm and 11 mm square.

ACTUATED VALVE SPECIALISTS



Industrial Valve Automation & Control
3105 Carter Circle P.O. Box 1928
Kennesaw, GA 30144 Kennesaw, GA 30156
1(866)-VALTORC WWW.VALTORC.COM